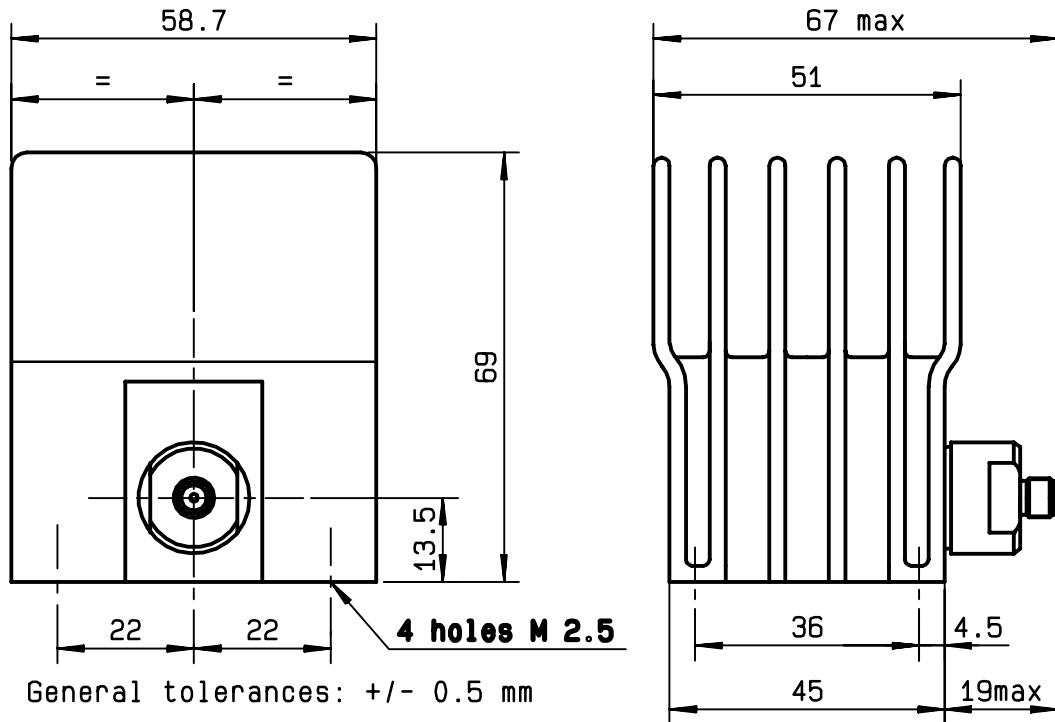


TITLE: 50 W 4 GHz SMA/fem COAXIAL TERMINATION

LTR. B



ELECTRICAL CHARACTERISTICS

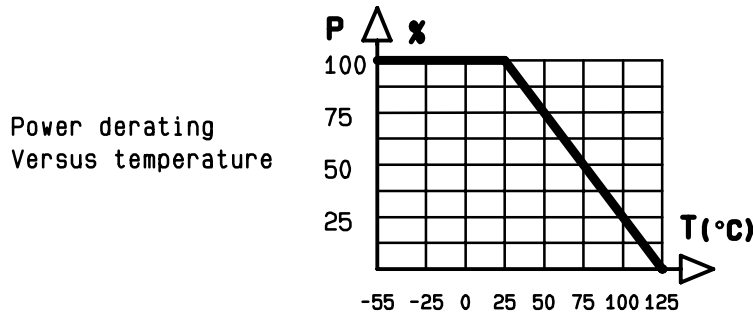
FREQUENCY RANGE	: DC - 4GHz
IMPEDANCE	: 50 Ohms
DC RESISTANCE	: 50 Ohms ± 5%
AVERAGE POWER HANDLING	: 50 W at 25°C
PEAK POWER HANDLING	: 5 kW (1 μs, 1%.) at 25°C
V.S.W.R :	DC - 2 GHz : ≤ 1.10
	2 - 4 GHz : ≤ 1.20

MECHANICAL CHARACTERISTICS

CONNECTOR	: SMA female per MIL C 39012
MAXIMUM WEIGHT	: 320 grams

ENVIRONMENTAL CHARACTERISTICS

OPERATING TEMPERATURE RANGE (°C)	: -55 , +125
STORAGE TEMPERATURE RANGE (°C)	: -55 , +125



Tentative data subject to change without notice

PEN 95182	QUALITY Dpt App.					
	PAGE 1 / 1	DATE 25.04.91	NAME KL	LTR	REVISIONS	DATE 22.10.92